



## Film Capacitors – Power Electronic Capacitors

General purpose applications

<b>Series/Type:</b>	<b>FilterCap MKD AC – Single phase</b>
<b>Ordering code:</b>	<b>B3237X Series</b>
Date:	2018-03-05
Version:	02

© EPCOS AG 2018. Reproduction, publication and dissemination of this publication, enclosures hereto and the information contained therein without EPCOS' prior express consent is prohibited.

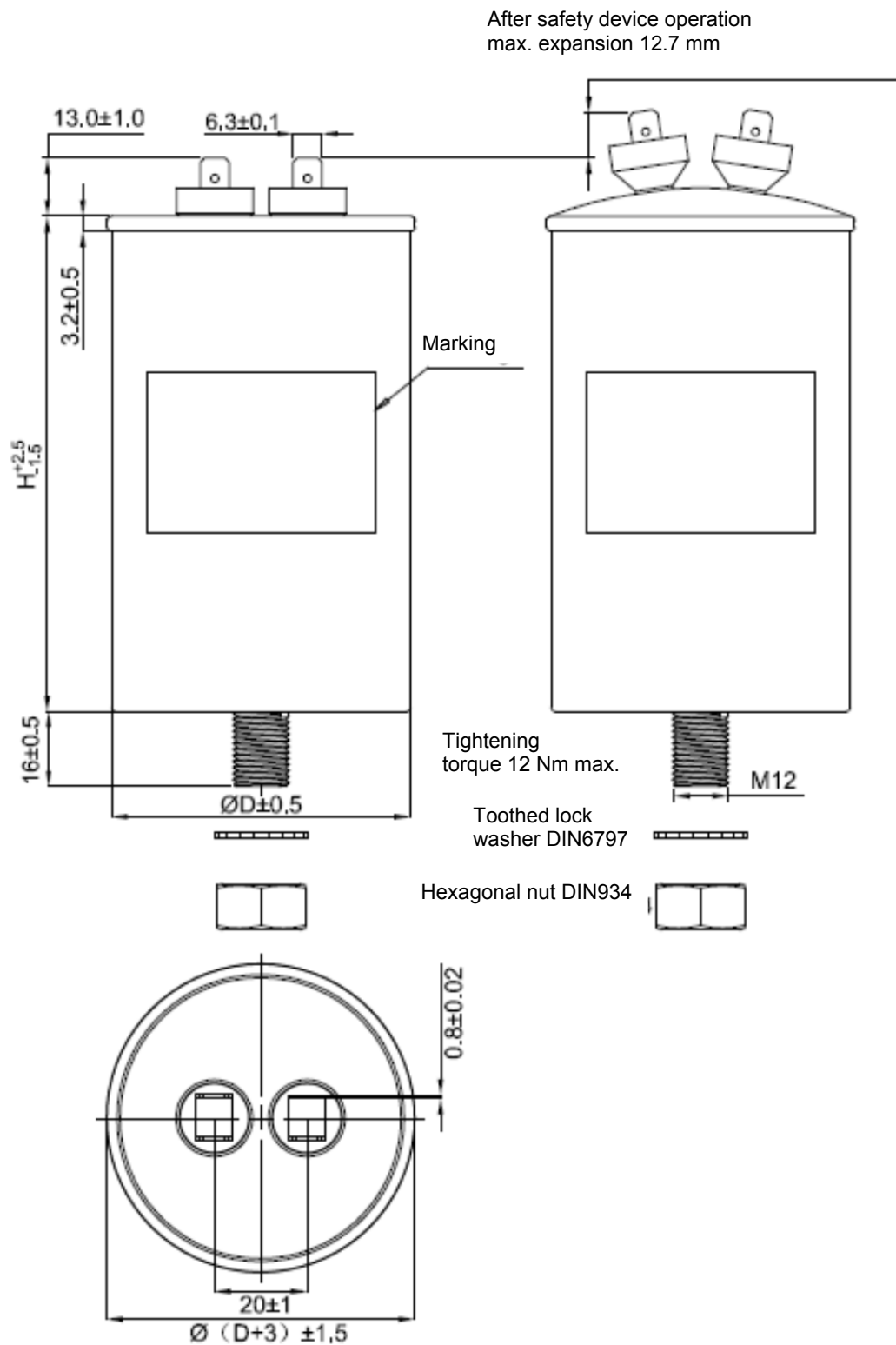
EPCOS AG is a TDK Group Company.

**Construction and general data**

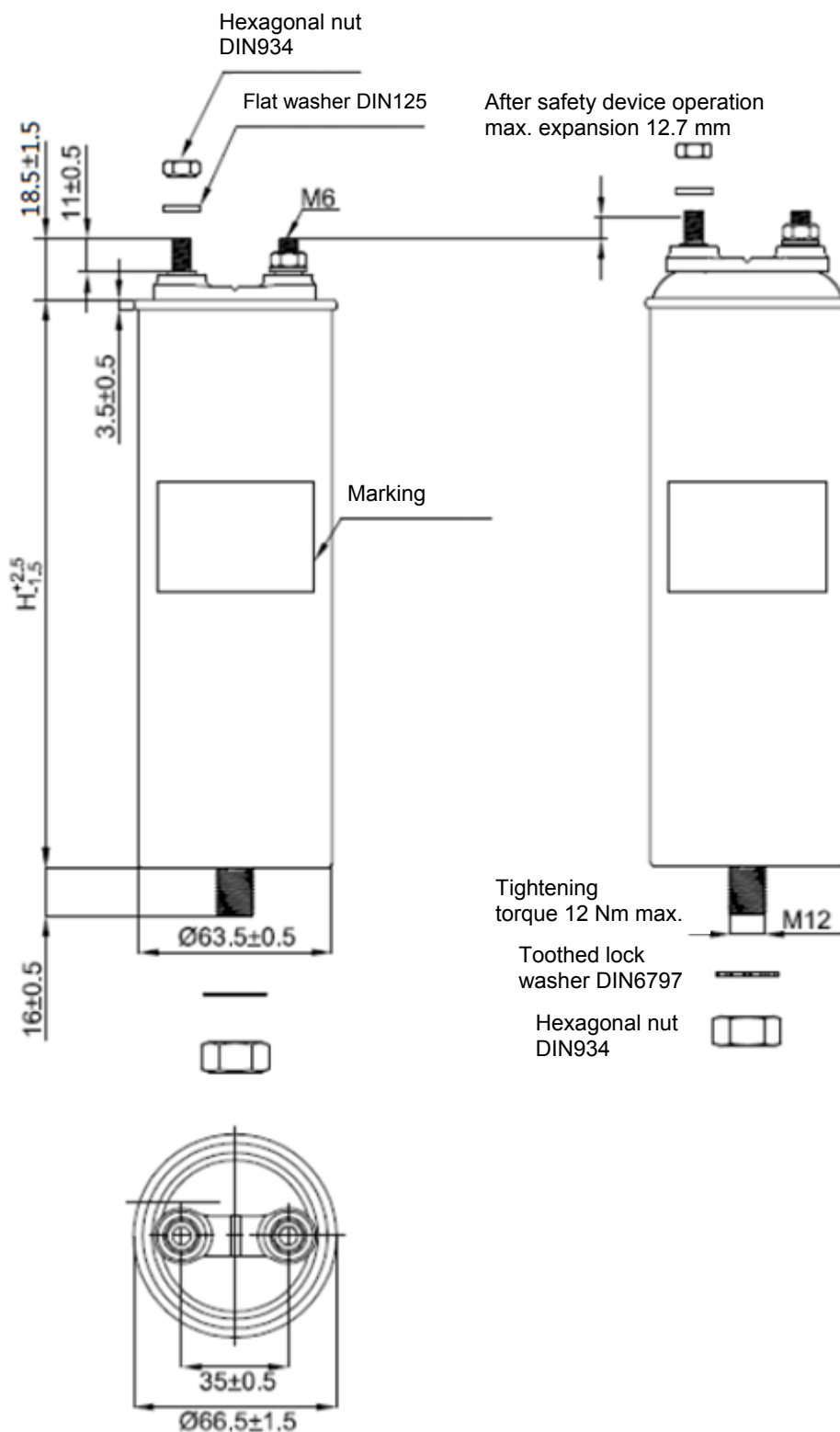
Dielectric	Metallized polypropylene film
Resin filling	Non-PCB, soft polyurethane
Safety device	Overpressure disconnecter, self-healing technology
Mounting and grounding	Stud on bottom of aluminum can
Cooling	Naturally air-cooled (or forced air cooling)
Degree of protection	IP00 (B32370, B32371 and B32373 series), IP20 (B32374 series)
Reference standards	IEC 61071, GB/T17702, UL810 ed.05
Safety approvals	<p>UL 810, CSA C22.2, No 190</p> <p><b>For B32370, B32371, B32373 type A and B32374:</b> max. 600 V RMS, 50/60Hz, “Protected”, 10k AFC, max. +70 °C.</p> <p><b>For B32373 type B:</b> max.1000 V RMS. 50/60Hz, “Protected”, 10k AFC, max. +70 °C.</p> <p>File no.: E487229, CCN:CYWT2/8</p>
Terminals	<p>Fast-on terminals - B32370 series</p> <p>Screw terminals - B32371 (M6) and B32373 (M10) series</p> <p>Clamp terminals - B32374 series</p>



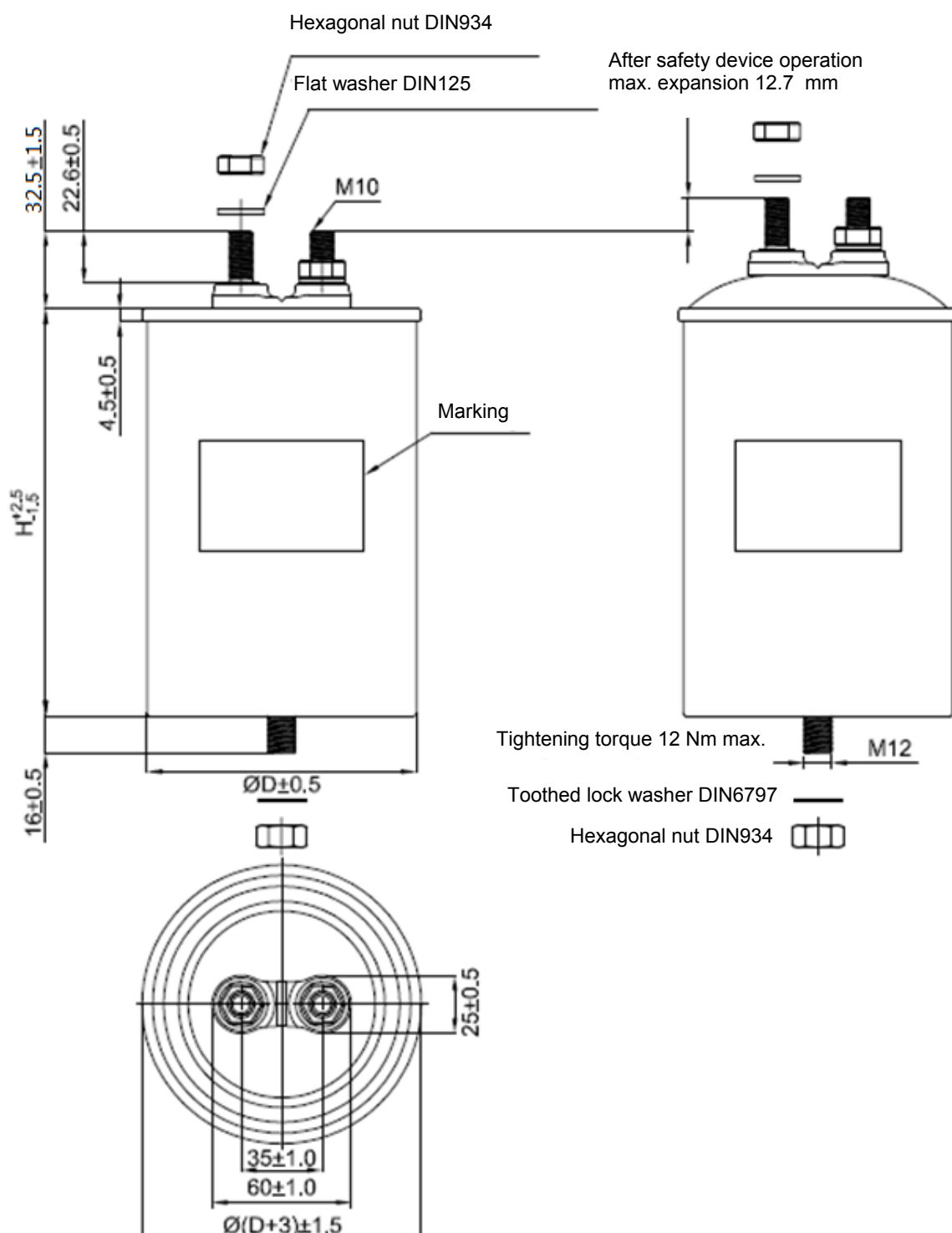
Dimensional drawings



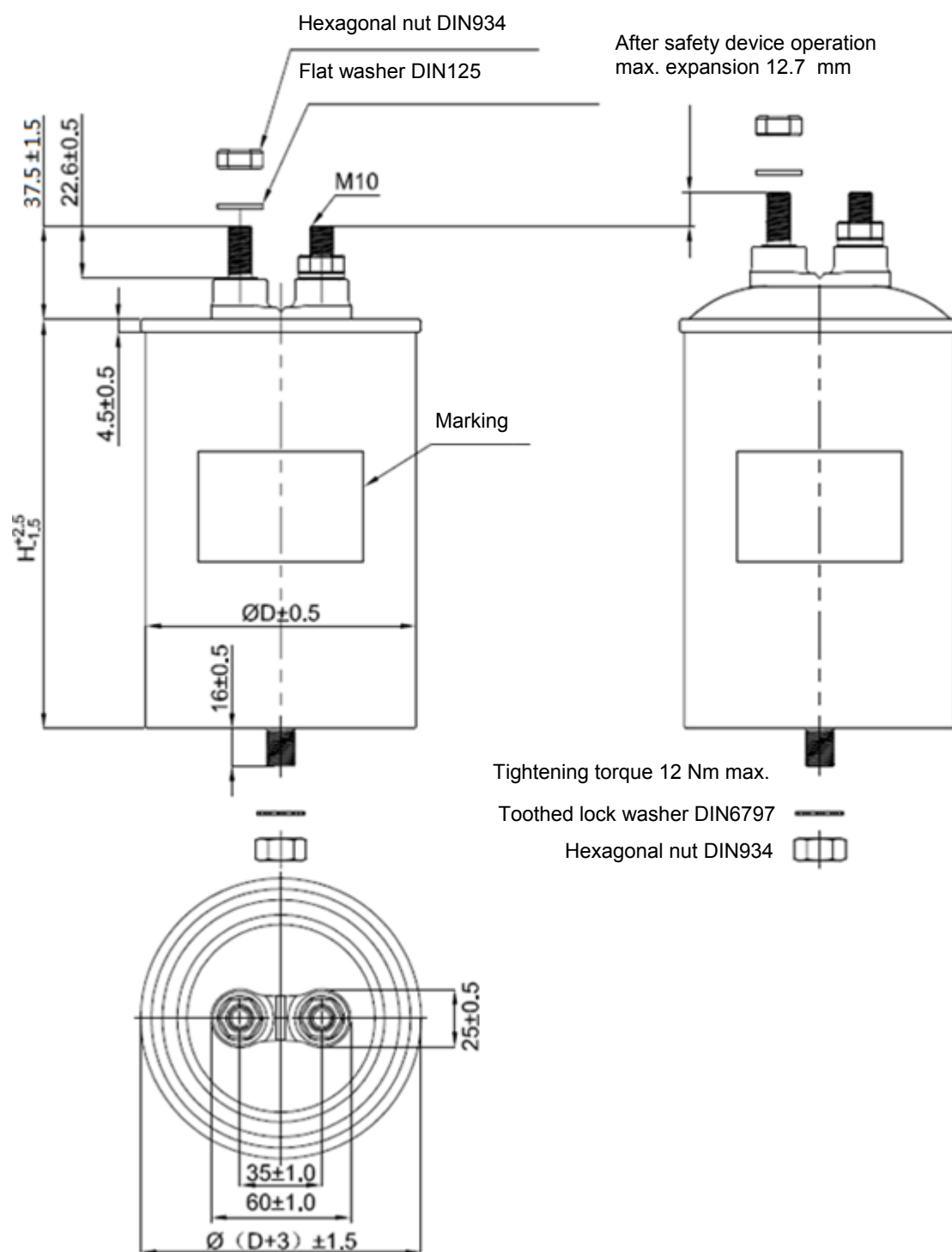
B32370 series – fast-on terminal



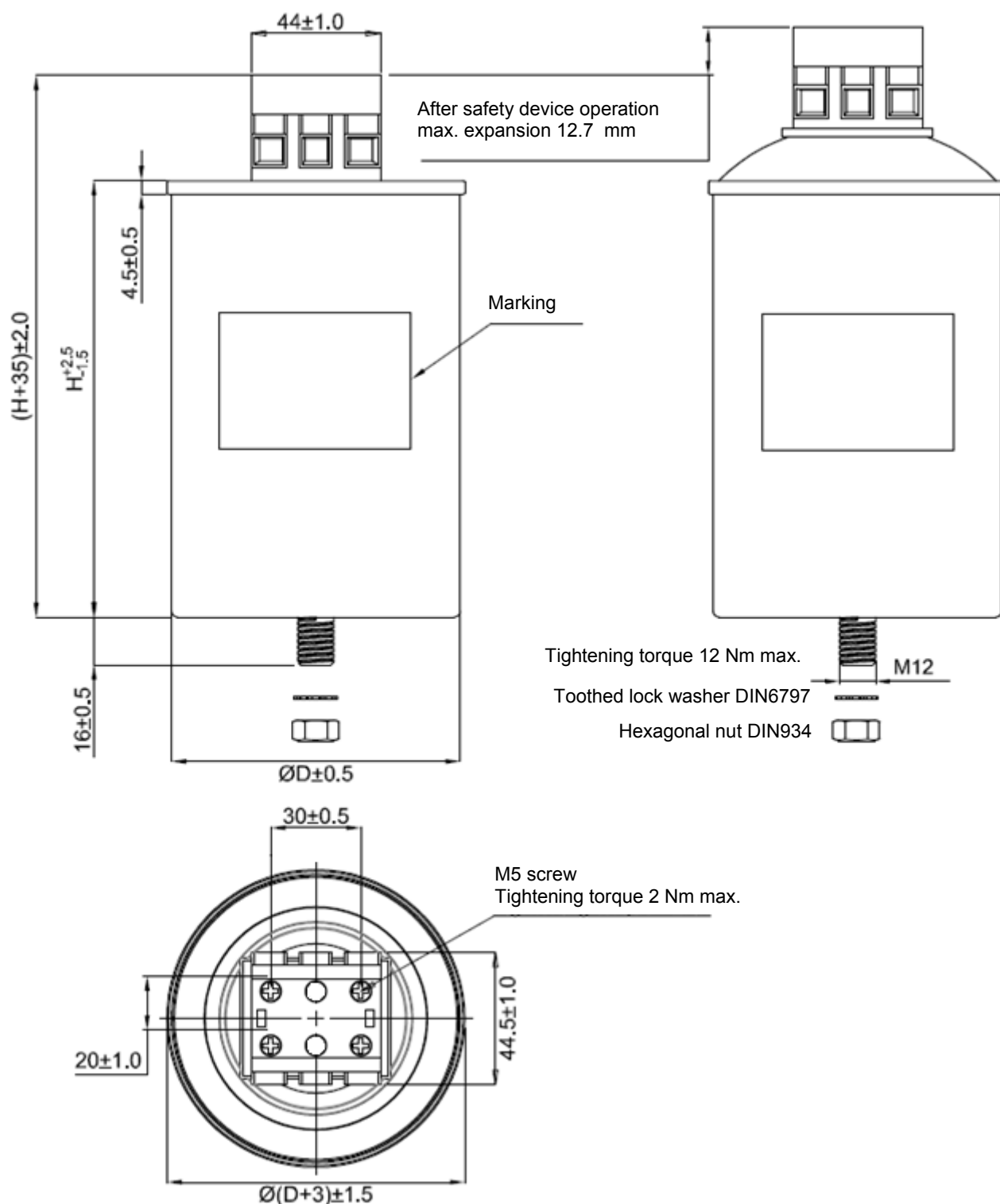
**B32371 series – M6 screw terminal**



**B32373 series – M10 screw terminal type A**



**B32373 series – M10 screw terminal type B**



**B32374 series – M5 screw clamp terminal**

**Specifications and characteristics**

 Rated capacitance  $C_R$ : 5 ... 600  $\mu\text{F}$ . Tolerance:  $\pm 5\%$ 

Rated AC voltage $V_{\text{RMS}}$	Rated AC voltage $V_{\text{RAC}}$	Rated DC voltage $V_{\text{RDC}}$
250	350	675
330	460	900
420	590	1050
480	680	1200
530	750	1350
600	850	1500
660	930	1650
720	1020	1800
780	1100	1950
850	1200	2100
1000	1415	2475

**Test data**

Voltage between terminals $V_{\text{TT}}$	$2.15 \cdot V_{\text{RMS}}$ , 10 s
Voltage between terminals and aluminium can $V_{\text{TC}}$	4000 V AC, 10 s
Dissipation factor $\tan \delta$ at 100 Hz	$\leq 1.0 \cdot 10^{-3}$
Life test	IEC 61071
Life expectancy	100000 h for $V_{\text{RMS}} \mid \Delta C/C \mid \leq 3\%$

**Climatic category 40/70/21**

$\Theta_{\text{stg}}^*$	-40 ... +85 °C
$\Theta_{\text{min}}$	-40 °C
$\Theta_{\text{max}}^{**}$	+70 °C
$\Theta_{\text{hs}}^{***}$	+85 °C
Max. permissible humidity	95% (test = 21 days)
Max. permissible altitude	2000 m above sea level

**Mechanical characteristics**

Max. torque (case)	M12: 12 Nm
Max. torque (terminal)	M6: 4 Nm (B32371 series) M10: 10 Nm (B32373 series) Screw clamp terminal: 2.0 Nm (B32374 series)

 \*:  $\Theta_{\text{stg}}$  – Storage temperature

 \*\*:  $\Theta_{\text{max}}$  – Based on a mounting position with terminals at the top. For other mounting positions, please request an evaluation.

 \*\*\*:  $\Theta_{\text{hs}}$  – Maximum temperature allowed at the capacitor's hot spot.



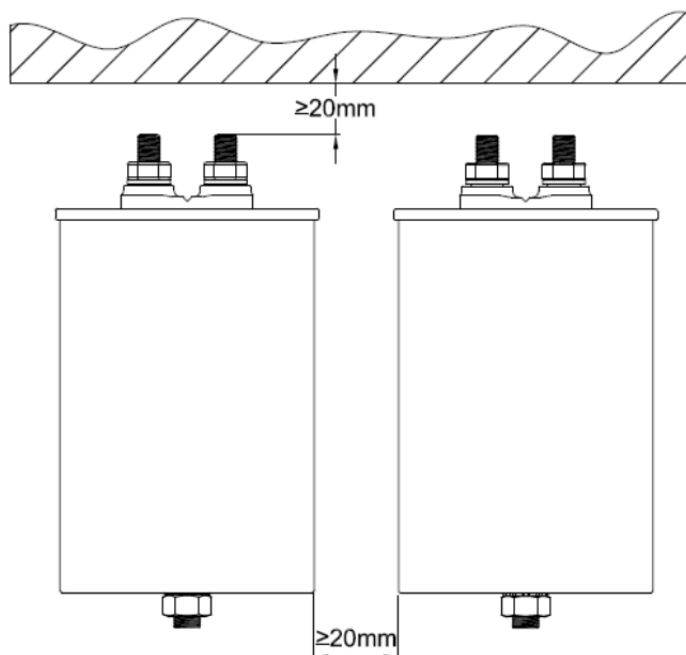
<b>Design data</b>	
Dimensions (D × H)	According to specification table
Fixing	According to specification table
Max. terminal current	Fast-on terminal: 15 A M6: 30 A M10: 60 A Screw clamp terminal: 50 A

**Electrical characteristics: Clearance and creepage distances**

Series	Diameter mm	Terminal to terminal		Terminal to case	
		Min. clearance mm	Min. creepage mm	Min. clearance mm	Min. creepage mm
B32370	50/63.5	10	36	16	19
B32371	63.5	23	34	13	14
B32373 Type A	75/85/96/116/136	15	28	15	20
B32373 Type B	75/85/96/116/136	15	39	20.5	25.6
B32374	75/85/96/116/136	Not applicable	12.7	9.6	12.7

**Installation space requirements**

- 1) A minimum distance of 20 mm between capacitors is necessary to maintain sufficient cooling.
- 2) Keep at least 20 mm space above the capacitor and do not attach any mounting components at the crimp or on top. This gap will allow a longitudinal extension of the can in order to ensure that the over-pressure disconnector can fully extend.


**Label information**

**EPCOS**
**B32373A8107J050**
**100µF**
**±5%**
 $U_{RMS}$ 

850V~

 $U_N$ 

1200V~

 $I_s$ 

11.7kA

IEC 61071

50/60Hz

Overpressure

disconnector

SH

No PCB

-40...+70°C

Protected 10K AFC

UL File E487229

Discharge capacitor before handling

Maximum torque of terminals: 10Nm

Made by EPCOS

42 Z 2017



123456789001


**Date code explanation**

WW Z YYYY

**WW** Z YYYY: Production weeks (ex.: 25)

**WW Z** YYYY: Produced in Zhuhai (China)

**WW Z YYYY**: Production year (ex.: 2015)

**Barcode explanation**

Barcode consists of batch number and serial number.

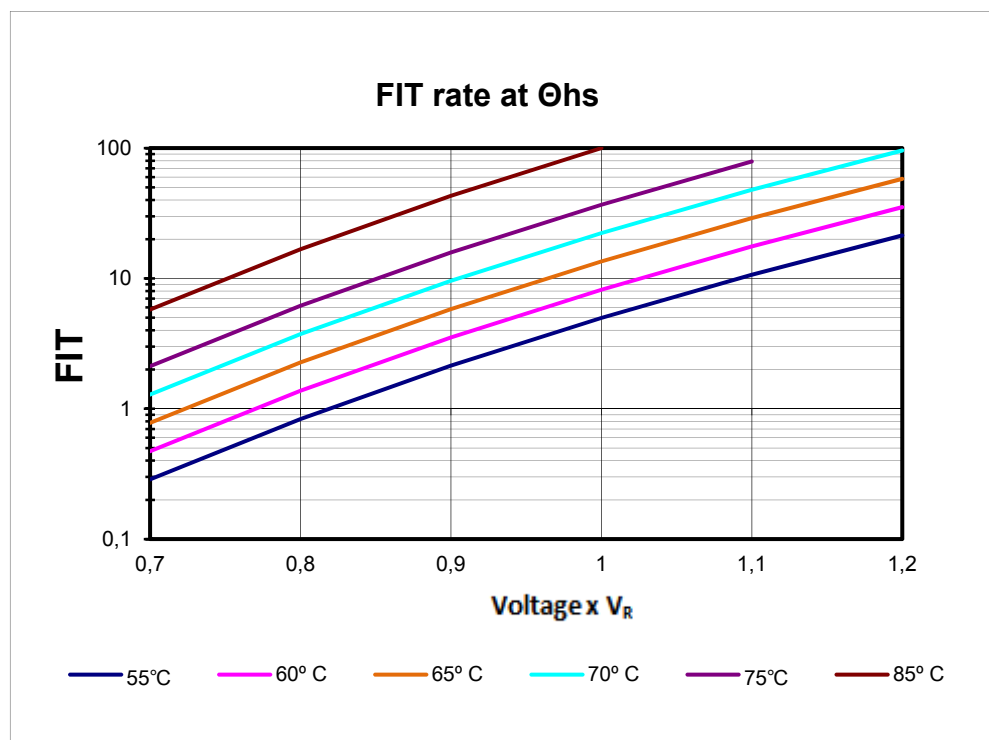
Batch number: 9 digits (ex.: 123456789)

Serial number: 3 digits (ex.: 001)

Expected lifetime

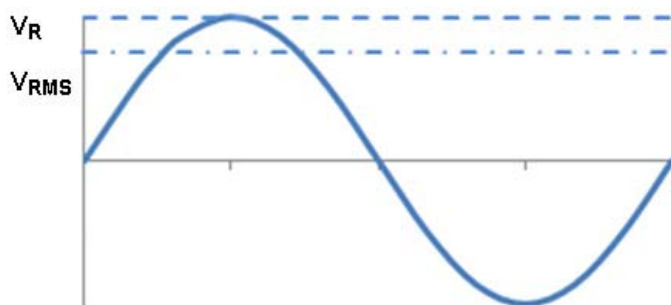


Expected fit rate



**Rated AC voltage  $V_R$** 

The maximum operating peak recurrent voltage of either polarity of a reversing type waveform for which the capacitor has been designed.

**Rated AC voltage  $V_{RMS}$** 


The root mean square of the maximum permissible value of the sinusoidal AC voltage in continuous operation.

**Rated capacitance  $C_R$** 

Capacitance of the capacitor at 20°C and 50 to 120 Hz.

**Maximum current  $I_{max}$** 

The maximum RMS current for continuous operation with a self-heating  $\Delta T \leq 15^\circ\text{C}$  @  $\Theta_{amb} = 70^\circ\text{C}$  frequency harmonics  $\leq 20\text{kHz}$ . A higher  $I_{max}$  will be possible on request at lower ambient temperature.

**Maximum peak current  $\hat{I}$** 

The maximum permitted repetitive peak current that can occur during continuous operation.

$$\hat{I} = C \times (dv/dt)_{max}$$

Where C is capacitance and dv/dt indicates rate of voltage rise, i.e. maximum permitted repetitive rate of rise of the operational voltage, usually using instead of  $\hat{I}$ .

**Maximum surge current  $I_s$** 

The peak non-repetitive current induced by switching or any other disturbance of the system permitted for a limited number of times, at durations shorter than the basic period

$$I_s = C \times (dv/dt)_s$$

Maximum duration: 50 ms/pulse

Maximum number of occurrences: 1000 (during load)

**Series resistance  $R_s$** 

The series resistance of a capacitor results of the resistive losses that occur in the electrodes, contacting and in the inner wiring.

The series resistance  $R_s$  generates the ohmic losses ( $I^2 \times R_s$ ) in a capacitor, and is largely independent of frequency ( $\leq 20\text{ kHz}$ ).

**Self-inductance  $L_{self}$** 

The self-inductance is produced by the inductance of the terminals and the windings. It allows the resonance frequency to be determined:

$$f = \frac{1}{2\pi\sqrt{L_{self} \times C}}$$

**Capacitor catalog number, type or series designation**

1	2	3	4	5	6	7	8	9	10	11	12	13	14	15
B	3	2	3	7	3	A	3	4	0	7	J	0	3	0
FilterCap MKD AC series					A	B	C	D		E	F	G	H	I

**A. Indicates the termination type**

0 = 6.3 x 0.8 (2 x) Fast-on terminals

1 = M6 (2 x) screw terminals

3 = M10 (2 x) screw terminals

4 = M5 (2 x) clamp terminals

**B. Indicates the revision status (any letter)**
**C. Indicates the first number of the voltage value (any digit)**
**D. Indicates the first and second numbers of the capacitance value (any two digits)**
**E. Indicates the exponent used as a multiplier (any digit)**
**F. Indicates the capacitor tolerance**

G = ±2%; J = ±5%; K = ±10%; M = ±20

**G. Indicates the coded capacitance value**
**H. Indicates the second number of the voltage value (any digit)**
**I. Indicates the accessories (any digit)**

**Technical data of standard products**
**B32370 series – fast-on terminals**

$V_{RAC} / V_{RMS}$ $V_{AC}$	$C_R$ $\mu F$	Ordering code	$I_{max}$ A	$\hat{i}$ A	D mm	H mm	Weight kg	Packing unit
350 / 250	30	B32370A2306J050	15	750	50	64.5	0.2	50
	40	B32370A2406J050	15	900	50	64.5	0.2	50
	50	B32370A2506J050	15	900	50	77.5	0.2	50
	60	B32370A2606J050	15	1000	50	77.5	0.2	50
	70	B32370A2706J050	15	1300	63.5	77.5	0.3	12
	75	B32370A2756J050	15	1340	63.5	77.5	0.3	12
	80	B32370A2806J050	15	1500	63.5	77.5	0.3	12
	100	B32370A2107J050	15	1600	63.5	77.5	0.3	12
	120	B32370A2127J050	15	1500	63.5	92.5	0.4	12
	140	B32370A2147J050	15	1520	63.5	102.5	0.4	12
	150	B32370A2157J050	15	1600	63.5	102.5	0.4	12
	160	B32370A2167J050	15	1280	63.5	127.5	0.5	12
	460 / 330	20	B32370A3206J030	14	600	50	64.5	0.2
25		B32370A3256J030	15	750	50	64.5	0.2	50
30		B32370A3306J030	15	650	50	77.5	0.2	50
40		B32370A3406J030	15	800	50	92.5	0.3	50
50		B32370B3506J030	15	840	50	92.5	0.3	50
60		B32370A3606J030	15	790	50	102.5	0.3	50
70		B32370A3706J030	15	1000	63.5	92.5	0.4	12
80		B32370A3806J030	15	1150	63.5	102.5	0.4	12
100		B32370A3107J030	15	1050	63.5	127.5	0.5	12
120		B32370A3127J030	15	1150	63.5	137.5	0.5	12
590 / 420	20	B32370A4206J020	14	520	50	77.5	0.2	50
	30	B32370A4306J020	15	1150	63.5	64.5	0.3	12
	40	B32370A4406J020	15	1030	63.5	77.5	0.3	12
	50	B32370A4506J020	15	1060	63.5	87.5	0.4	12
	60	B32370A4606J020	15	1000	63.5	102.5	0.5	12
	70	B32370A4706J020	15	870	63.5	127.5	0.5	12
	80	B32370A4806J020	15	990	63.5	127.5	0.5	12
	100	B32370A4107J020	15	1120	63.5	137.5	0.6	12
	680 / 480	10	B32370A4106J080	10.5	400	50	64.5	0.2
15		B32370A4156J080	12.5	600	50	77.5	0.2	50
20		B32370A4206J080	14	600	50	87.5	0.2	50
25		B32370A4256J080	15	500	50	102.5	0.3	50
30		B32370A4306J080	15	600	50	102.5	0.3	50
40		B32370A4406J080	15	750	63.5	102.5	0.4	12
50		B32370A4506J080	15	950	63.5	102.5	0.4	12
60		B32370A4606J080	15	850	63.5	127.5	0.5	12
70		B32370A4706J080	15	1000	63.5	137.5	0.5	12

**B32370 series – fast-on terminals**

$V_{RAC} / V_{RMS}$ $V_{AC}$	$C_R$ $\mu F$	Ordering code	$I_{max}$ A	$\hat{I}$ A	D mm	H mm	Weight kg	Packing unit
750 / 530	10	B32370A5106J030	10.5	450	50	64.5	0.2	50
	20	B32370A5206J030	15	910	63.5	77.5	0.3	12
	30	B32370A5306J030	15	650	63.5	102.5	0.4	12
	40	B32370A5406J030	15	850	63.5	102.5	0.4	12
	50	B32370A5506J030	15	800	63.5	127.5	0.5	12
	60	B32370A5606J030	15	870	63.5	137.5	0.6	12
850 / 600	10	B32370A6106J000	12.5	520	63.5	64.5	0.3	12
	20	B32370A6206J000	15	750	63.5	77.5	0.3	12
	30	B32370A6306J000	15	730	63.5	102.5	0.4	12
	40	B32370A6406J000	15	720	63.5	127.5	0.5	12
	45	B32370A6456J000	15	800	63.5	127.5	0.5	12

**B32371 series - M6 screw terminals**

$V_{RAC} / V_{RMS}$ $V_{AC}$	$C_R$ $\mu F$	Ordering code	$I_{max}$ A	$\hat{I}$ A	D mm	H mm	Weight kg	Packing unit
350 / 250	50	B32371A2506J050	23	1250	63.5	70.5	0.3	12
	60	B32371A2606J050	24	1500	63.5	70.5	0.3	12
	70	B32371A2706J050	25	1600	63.5	70.5	0.3	12
	75	B32371A2756J050	25.5	1400	63.5	70.5	0.3	12
	80	B32371A2806J050	26	1450	63.5	82.5	0.3	12
	100	B32371A2107J050	27.5	1650	63.5	82.5	0.3	12
	130	B32371A2137J050	28	1500	63.5	107.5	0.4	12
	150	B32371A2157J050	30	1600	63.5	132.5	0.5	12
	200	B32371A2207J050	30	1750	63.5	132.5	0.6	12
460 / 330	30	B32371A3306J030	19.5	940	63.5	70.5	0.3	12
	40	B32371A3406J030	21.5	1250	63.5	70.5	0.3	12
	50	B32371A3506J030	23	1100	63.5	82.5	0.3	12
	60	B32371A3606J030	24	1095	63.5	92.5	0.3	12
	70	B32371A3706J030	24.5	1000	63.5	107.5	0.4	12
	80	B32371A3806J030	25	1150	63.5	107.5	0.4	12
	100	B32371A3107J030	25.5	1050	63.5	132.5	0.5	12
	120	B32371A3127J030	27.5	1160	63.5	142.5	0.6	12
590 / 420	10	B32371A4106J020	12.5	350	63.5	70.5	0.3	12
	15	B32371A4156J020	15	530	63.5	70.5	0.3	12
	20	B32371A4206J020	17	710	63.5	70.5	0.3	12
	25	B32371A4256J020	18.5	890	63.5	70.5	0.3	12
	30	B32371A4306J020	20	1050	63.5	70.5	0.3	12
	40	B32371A4406J020	22	760	63.5	82.5	0.3	12
	50	B32371A4506J020	23	1230	63.5	97.5	0.4	12
	60	B32371A4606J020	24	1000	63.5	107.5	0.4	12
	70	B32371A4706J020	25	1030	63.5	117.5	0.5	12

**B32371 series - M6 screw terminals**

$V_{RAC} / V_{RMS}$ $V_{AC}$	$C_R$ $\mu F$	Ordering code	$I_{max}$ A	$\hat{I}$ A	D mm	H mm	Weight kg	Packing unit
590 /	80	B32371A4806J020	25	990	63.5	132.5	0.6	12
420	100	B32371A4107J020	26	1120	63.5	142.5	0.6	12
680 /	10	B32371A4106J080	13	400	63.5	70.5	0.3	12
480	15	B32371A4156J080	15.5	600	63.5	70.5	0.3	12
	20	B32371A4206J080	17	800	63.5	70.5	0.3	12
	25	B32371A4256J080	18.5	750	63.5	82.5	0.3	12
	30	B32371A4306J080	20	880	63.5	82.5	0.3	12
	40	B32371A4406J080	21.5	760	63.5	107.5	0.4	12
	50	B32371A4506J080	23	960	63.5	107.5	0.4	12
	60	B32371A4606J080	23.5	850	63.5	132.5	0.5	12
	70	B32371A4706J080	24	900	63.5	142.5	0.6	12
750 /	10	B32371A5106J030	13	470	63.5	70.5	0.3	12
530	20	B32371A5206J030	18	680	63.5	82.5	0.3	12
	30	B32371A5306J030	20	650	63.5	107.5	0.4	12
	40	B32371A5406J030	21.5	760	63.5	117.5	0.4	12
	50	B32371A5506J030	23	800	63.5	132.5	0.5	12
850 /	10	B32371A6106J000	13	520	63.5	70.5	0.3	12
600	20	B32371A6206J000	17.5	695	63.5	92.5	0.3	12
	30	B32371A6306J000	20	730	63.5	107.5	0.4	12
	40	B32371A6406J000	21.5	720	63.5	132.5	0.5	12

**B32373 series - M10 screw terminals (terminal type A)**

$V_{RAC} / V_{RMS}$ $V_{AC}$	$C_R$ $\mu F$	Ordering code	$I_{max}$ A	$\hat{I}$ A	D mm	H mm	Weight kg	Packing unit
350 /	150	B32373A2157J050	41.5	1800	75	117	0.7	9
250	200	B32373A2207J050	45	2160	75	117	0.7	9
	250	B32373A2257J050	45	2000	75	142	0.8	6
	300	B32373A2307J050	60	3770	75	175	1.1	6
	330	B32373A2337J050	60	3560	75	195	1.2	9
	400	B32373A2407J050	60	3790	75	215	1.3	6
	500	B32373A2507J050	60	5400	85	195	1.5	9
	600	B32373A2607J050	60	4800	85	245	1.7	4
460 /	100	B32373A3107J030	36	1440	75	117	0.7	9
330	120	B32373A3127J030	39	1720	75	117	0.7	9
	150	B32373A3157J030	40	1600	75	142	0.8	6
	200	B32373A3207J030	48	2130	85	142	0.9	4
	250	B32373A3257J030	60	3600	85	195	1.5	9
	300	B32373A3307J030	60	4320	85	195	1.5	9
	330	B32373A3337J030	60	4160	85	215	1.4	4
	400	B32373A3407J030	60	4260	85	245	1.7	4



**B32373 series - M10 screw terminals (terminal type A)**

$V_{RAC} / V_{RMS}$ $V_{AC}$	$C_R$ $\mu F$	Ordering code	$I_{max}$ A	$\hat{I}$ A	D mm	H mm	Weight kg	Packing unit
460 / 330	500	B32373A3507J030	60	5330	96	245	1.9	4
590 /	60	B32373A4606J020	32	1270	75	102	0.5	6
420	70	B32373A4706J020	33	1175	75	117	0.7	9
	80	B32373A4806J020	35	1340	75	117	0.7	9
	100	B32373A4107J020	35.5	1245	75	142	0.8	6
	120	B32373A4127J020	51	2550	75	165	1	6
	150	B32373A4157J020	59	3195	85	165	1.1	4
	200	B32373A4207J020	60	3360	85	195	1.5	9
	250	B32373A4257J020	60	3110	85	245	1.7	4
	300	B32373A4307J020	60	3730	85	245	1.8	4
	350	B32373A4357J020	60	4350	96	245	1.9	4
	400	B32373A4407J020	60	6720	116	195	2.4	4
680 /	60	B32373A4606J080	32	1150	75	117	0.7	9
480	66	B32373A4666J080	33	1260	75	117	0.7	9
	68	B32373A4686J080	38	1655	85	102	0.7	4
	70	B32373A4706J080	43	2050	75	145	0.8	4
	80	B32373A4806J080	46	2360	75	145	0.8	4
	86	B32373A4866J080	50	3400	85	120	0.8	4
	100	B32373B4107J080	50	2430	75	165	0.9	6
	120	B32373A4127J080	52	2300	75	195	1.2	9
	150	B32373A4157J080	60	2880	85	195	1.5	9
	166	B32373A4167J680	60	3200	85	195	1.5	4
	180	B32373A4187J080	60	4400	96	165	1.4	4
	200	B32373A4207J080	60	2840	85	245	1.7	4
	250	B32373A4257J080	60	3550	96	245	1.9	4
	280	B32373A4287J080	60	6250	116	175	2.1	4
	300	B32373A4307J080	60	5840	116	195	2.4	4
	350	B32373A4357J080	60	5970	116	215	2.6	4
750 /	30	B32373A5306J030	25.5	938	75	102	0.6	6
530	33	B32373A5336J030	29	1100	85	92	0.6	4
	47	B32373A5476J030	36	2210	75	120	0.7	9
	50	B32373A5506J030	40	2280	75	120	0.7	9
	60	B32373A5606J030	43	2740	85	120	0.7	4
	65	B32373A5656J030	44	2960	85	120	0.8	4
	70	B32373A5706J030	37	1325	85	127	0.8	4
	75	B32373A5756J030	43	1880	96	107	0.8	4

**B32373 series - M10 screw terminals (terminal type A)**

$V_{RAC} / V_{RMS}$ $V_{AC}$	$C_R$ $\mu F$	Ordering code	$I_{max}$ A	$\hat{I}$ A	D mm	H mm	Weight kg	Packing unit
750 / 530	80	B32373A5806J030	41	1280	85	142	1	4
	100	B32373A5107J030	60	3330	96	145	1.3	4
	105	B32373B5107J530	60	3670	96	145	1.3	4
	110	B32373A5117J030	60	3750	96	145	1.3	4
	116	B32373A5117J630	60	3860	96	145	1.3	4
	120	B32373A5127J030	60	2590	85	195	1.5	9
	150	B32373A5157J030	60	5100	116	145	1.7	4
	200	B32373A5207J030	60	5570	116	165	1.8	4
	220	B32373A5227J030	60	5530	116	175	2	4
	250	B32373A5257J030	60	5480	116	195	2.1	4
	300	B32373A5307J030	60	4850	116	245	3	4
	330	B32373B5337J030	60	5200	116	245	3	4
	350	B32373A5357J030	60	5650	116	245	3	4
	850 / 600	33	B32373A6336J000	27	930	75	107	0.5
41		B32373A6416J000	29	1000	75	117	0.7	9
47		B32373A6476J000	34	1330	85	107	0.7	4
50		B32373A6506J000	34	1220	85	117	0.8	9
53		B32373A6536J000	35	1230	85	117	0.8	4
60		B32373A6606J000	37.5	1700	96	107	0.8	4
70		B32373A6706J000	48.5	2430	85	165	1	4
80		B32373A6806J000	50.5	2130	85	195	1.5	9
94		B32373A6946J000	54	3130	96	165	1.1	4
100		B32373A6107J000	58	2660	96	195	1.7	4
120		B32373A6127J000	60	3195	96	195	1.7	4
130		B32373A6137J000	60	3170	96	195	1.7	4
150		B32373A6157J000	60	2875	96	245	1.9	4
180		B32373A6187J000	60	4800	116	195	2.4	4
200		B32373B6207J000	60	3830	116	245	3	4
250		B32373A6257J000	60	4790	116	245	3	4
270		B32373A6277J000	60	5175	116	245	3	4
300	B32373A6307J000	60	5750	136	245	4.2	4	

**B32373 series - M10 screw terminals (terminal type B)**

$V_{RAC} / V_{RMS}$ $V_{AC}$	$C_R$ $\mu F$	Ordering code	$I_{max}$ A	$\hat{I}$ A	D mm	H mm	Weight kg	Packing unit
930 / 660	20	B32373A6206J060	22	910	75	92	0.4	6
	22	B32373A6226J060	23	810	75	102	0.5	6
	25	B32373A6256J060	24	840	75	107	0.5	6
	33	B32373A6336J060	29.5	1100	85	107	0.7	4
	41	B32373A6416J060	32	1165	85	117	0.8	4
	50	B32373A6506J060	33	1030	85	142	1	4
	68	B32373A6686J060	40	1400	96	142	1.1	4
	80	B32373A6806J060	55.5	2940	96	165	1.4	4
	90	B32373A6906J060	58	3000	96	175	1.5	4
	100	B32373A6107J060	60	2840	96	195	1.7	4
	120	B32373A6127J060	51.5	3030	96	215	1.9	4
	120	B32373B6127J060	60	4240	116	165	2	4
	150	B32373A6157J060	60	4260	116	195	2.5	4
	200	B32373A6207J060	60	4120	116	245	3	4
	220	B32373A6227J060	60	4530	116	245	3	4
	250	B32373A6257J060	60	5150	136	245	4.2	4
300	B32373A6307J060	60	6180	136	245	4.2	4	
1020 / 720	20	B32373A7206J020	24	800	75	102	0.5	6
	22	B32373B7226J020	26.5	1100	85	92	0.6	4
	25	B32373A7256J020	28.5	1000	85	102	0.7	4
	31	B32373A7316J020	31.5	960	85	117	0.7	4
	33	B32373A7336J020	34.5	1320	96	102	0.7	4
	36	B32373A7366J020	33.5	1115	85	117	0.7	4
	45	B32373A7456J020	36.5	1010	85	142	0.9	4
	50	B32373A7506J020	38	1125	85	142	0.9	4
	60	B32373A7606J020	44	1350	96	142	1.1	4
	65	B32373A7656J020	54.5	2600	96	165	1.4	4
	70	B32373A7706J020	53.5	1860	85	195	1.5	9
	80	B32373A7806J020	60	2480	96	195	1.7	4
	90	B32373A7906J020	60	2020	85	245	1.7	4
	100	B32373A7107J020	60	2250	85	245	1.7	4
	120	B32373A7127J020	60	2670	96	245	2.1	4
	150	B32373A7157J020	60	4000	116	215	2.6	4
180	B32373A7187J020	60	4050	116	245	3	4	

$V_{RAC} / V_{RMS}$ $V_{AC}$	$C_R$ $\mu F$	Ordering code	$I_{max}$ A	$\hat{i}$ A	D mm	H mm	Weight kg	Packing unit
1100 / 780	15	B32373A7156J080	21	650	75	102	0.5	6
	20	B32373A7206J080	24	740	75	107	0.5	6
	22	B32373A7226J080	25	700	75	117	0.6	9
	33	B32373B7336J080	32	800	85	142	0.9	4
	47	B32373A7476J080	40	1150	96	142	1.1	4
	53	B32373B7536J080	42	1290	96	142	1.1	4
	68	B32373A7686J080	55	2280	96	195	1.7	4
	75	B32373A7756J080	57	2520	96	195	1.7	4
	82	B32373A7826J080	58	2000	85	245	1.7	4
	100	B32373A7107J080	60	2440	96	245	2.1	4
	120	B32373A7127J080	60	4030	116	195	2.4	4
	150	B32373A7157J080	60	3660	116	245	3	4
	180	B32373A7187J080	60	4390	136	245	4.2	4
1200 / 850	20	B32373A8206J050	26	935	85	102	0.6	4
	25	B32373A8256J050	29	900	85	117	0.7	4
	33	B32373A8336J050	38	1920	85	145	1	4
	40	B32373A8406J050	42	1870	85	165	1.1	4
	47	B32373A8476J050	48.5	2200	96	165	1.4	4
	53	B32373A8536J050	48.5	1920	85	195	1.5	9
	60	B32373A8606J050	55	2170	96	195	1.7	4
	68	B32373A8686J050	55	1785	85	245	1.7	4
	80	B32373B8806J050	60	2890	116	175	2.1	4
	82	B32373B8826J050	60	2965	116	175	2.1	4
	100	B32373B8107J050	60	3615	116	195	2.4	4
	150	B32373A8157J050	60	5420	136	195	3.3	4
1415 / 1000	15	B32373A1156J000	22	2175	75	142	0.8	6
	20	B32373A1206J000	27	2900	85	142	0.8	4
	22	B32373A1226J000	28	3190	85	142	0.9	4
	30	B32373A1306J000	34.5	4360	96	142	1.1	4
	45	B32373A1456J000	47	6500	85	245	1.7	4
	60	B32373A1606J000	57	8700	96	245	2.1	4

**B32374 series - clamp terminals**

$V_{RAC} / V_{RMS}$ $V_{AC}$	$C_R$ $\mu F$	Ordering code	$I_{max}$ A	$\hat{I}$ A	D mm	H mm	Weight kg	Packing unit
350 / 250	100	B32374A2107J050	38	1850	75	92	0.5	6
	120	B32374A2127J050	40	2150	75	92	0.5	6
	150	B32374A2157J050	42.5	2050	75	102	0.6	6
	200	B32374A2207J050	44.5	2160	75	117	0.7	9
	250	B32374A2257J050	45	2000	75	142	0.8	6
	300	B32374A2307J050	46	2400	75	152	0.9	6
	330	B32374A2337J050	47.5	3560	75	195	1.2	9
	400	B32374A2407J050	50	4300	75	195	1.2	9
	500	B32374A2507J050	50	4690	85	245	1.7	4
460 / 330	100	B32374A3107J030	37	1800	75	107	0.6	6
	120	B32374A3127J030	39	1585	75	117	0.6	6
	150	B32374A3157J030	40	1600	75	142	0.8	6
	200	B32374A3207J030	50	2850	75	195	1.2	6
	250	B32374A3257J030	50	2650	75	245	1.3	6
	300	B32374A3307J030	50	3500	75	245	1.3	6
590 / 420	60	B32374A4606J020	32.5	1270	75	102	0.6	6
	70	B32374A4706J020	33.5	1175	75	117	0.7	6
	80	B32374A4806J020	35	1340	75	117	0.7	6
	100	B32374A4107J020	35.5	1245	75	142	0.9	6
	120	B32374A4127J020	50	2550	75	165	1	6
	150	B32374A4157J020	50	1690	85	152	1	4
	200	B32374A4207J020	50	3360	85	195	1.5	4
680 / 480	40	B32374A4406J080	28	1070	75	102	0.5	6
	50	B32374A4506J080	30.5	1030	75	107	0.5	6
	60	B32374A4606J080	32	1150	75	117	0.6	6
	70	B32374A4706J080	38	1550	85	107	0.7	4
	80	B32374A4806J080	39	1540	85	117	0.7	4
	100	B32374B4107J080	46	2370	96	117	1	4
	150	B32374A4157J080	50	2050	96	142	1.2	4
	200	B32374A4207J080	50	3750	116	117	1.3	4
	250	B32374A4257J080	50	3450	116	145	1.7	4

$V_{RAC} / V_{RMS}$ $V_{AC}$	$C_R$ $\mu F$	Ordering code	$I_{max}$ A	$\hat{i}$ A	D mm	H mm	Weight kg	Packing unit
750 /	50	B32374A5506J030	30.5	1100	75	117	0.6	6
530	60	B32374B5606J030	33	1315	75	117	0.6	6
	100	B32374A5107J030	50	3400	96	145	1.3	4
	120	B32374A5127J030	50	3050	85	175	1.1	4
	150	B32374A5157J030	50	5100	116	145	1.7	4
	200	B32374A5207J030	50	5570	116	165	1.8	4
850 /	100	B32374A6107J000	50	2660	96	195	1.7	4
600	120	B32374A6127J000	50	3195	96	195	1.7	4
	150	B32374A6157J000	50	2875	96	245	1.9	4

### Display of ordering codes for EPCOS products

The ordering code for one and the same EPCOS product can be represented differently in data sheets, data books, other publications, on the EPCOS website, or in order-related documents such as shipping notes, order confirmations and product labels. **The varying representations of the ordering codes are due to the different processes employed and do not affect the specifications of the respective products.** Detailed information can be found on the Internet under [www.epcos.com/orderingcodes](http://www.epcos.com/orderingcodes)

### Cautions and warnings

- Capacitors with dents of more than 1 mm depth or any other mechanical damage must not be used.
- Check the tightness of the connections / terminals periodically.
- The energy stored in capacitors may be lethal. To prevent any risk of shock, the capacitors must be discharged and short-circuited before handling.
- Failure to follow cautions may result in the worst case in premature failure, bursting and fire.

### Safety

- Electrical or mechanical misapplication of capacitors may be hazardous. Personal injury or property damage may result from bursting of the capacitor or expulsion of molten material due to mechanical disruption of the capacitor.
- Ensure good, effective grounding for capacitor enclosures.
- Observe appropriate safety precautions during operation (self-recharging phenomena and the high energy stored in capacitors).
- Handle capacitors carefully, as they may still be charged even after disconnection.
- The terminals of capacitors, connected busbars and cables as well as other devices may also be energized.
- Follow good engineering practice.
- The maximum permissible fault current (AFC) of 10 kA in accordance with the UL 810 standard must be assured by the application.

### Thermal load

- After installing the capacitor, verify that the maximum hot-spot temperature is not exceeded under extreme operating conditions.

### Mechanical protection

- The capacitor has to be installed to assure that no mechanical damage or dents in the case occur.

### Storage and operating conditions

- Do not use or store capacitors in corrosive atmospheres, especially where chloride gas, sulfide gas, acid, alkali, salt or the like are present. In dusty environments, regular maintenance and cleaning, especially of the terminals, is required to avoid creating a conductive path between phases and/or phases and ground.

### Overpressure disconnecter

- To ensure full functionality of an overpressure safety disconnecter, the following points must be observed:
  1. The elastic elements must not be hindered, i.e.
    - Connecting lines must be flexible leads (cables)
    - There must be sufficient space (min.15 mm) for expansion above the connections
    - The metal cover must not be retained by rigid parts such as busbars.
  2. The stress parameters of the capacitor must be within the IEC 61071 specification.

### Service life expectancy

- Electrical components do not have an unlimited service life expectancy: this also applies to self-healing capacitors. The maximum service life expectancy may vary depending on the application in which the capacitor is used.

## Important notes

The following applies to all products named in this publication:

1. Some parts of this publication contain **statements about the suitability of our products for certain areas of application**. These statements are based on our knowledge of typical requirements that are often placed on our products in the areas of application concerned. We nevertheless expressly point out **that such statements cannot be regarded as binding statements about the suitability of our products for a particular customer application**. As a rule, EPCOS is either unfamiliar with individual customer applications or less familiar with them than the customers themselves. For these reasons, it is always ultimately incumbent on the customer to check and decide whether an EPCOS product with the properties described in the product specification is suitable for use in a particular customer application.
2. We also point out that **in individual cases, a malfunction of electronic components or failure before the end of their usual service life cannot be completely ruled out in the current state of the art, even if they are operated as specified**. In customer applications requiring a very high level of operational safety and especially in customer applications in which the malfunction or failure of an electronic component could endanger human life or health (e.g. in accident prevention or life-saving systems), it must therefore be ensured by means of suitable design of the customer application or other action taken by the customer (e.g. installation of protective circuitry or redundancy) that no injury or damage is sustained by third parties in the event of malfunction or failure of an electronic component.
3. **The warnings, cautions and product-specific notes must be observed.**
4. In order to satisfy certain technical requirements, **some of the products described in this publication may contain substances subject to restrictions in certain jurisdictions (e.g. because they are classed as hazardous)**. Useful information on this will be found in our Material Data Sheets on the Internet ([www.epcos.com/material](http://www.epcos.com/material)). Should you have any more detailed questions, please contact our sales offices.
5. We constantly strive to improve our products. Consequently, **the products described in this publication may change from time to time**. The same is true of the corresponding product specifications. Please check therefore to what extent product descriptions and specifications contained in this publication are still applicable before or when you place an order. We also **reserve the right to discontinue production and delivery of products**. Consequently, we cannot guarantee that all products named in this publication will always be available. The aforementioned does not apply in the case of individual agreements deviating from the foregoing for customer-specific products.
6. Unless otherwise agreed in individual contracts, **all orders are subject to the current version of the "General Terms of Delivery for Products and Services in the Electrical Industry" published by the German Electrical and Electronics Industry Association (ZVEI)**.
7. The trade names EPCOS, CeraCharge, CeraDiode, CeraLink, CeraPias, CSMP, CTVS, DeltaCap, DigiSiMic, ExoCore, FilterCap, FormFit, LeaXield, MiniBlue, MiniCell, MKD, MKK, MotorCap, PCC, PhaseCap, PhaseCube, PhaseMod, PhiCap, PowerHap, PQSine, PQvar, SIFERRIT, SIFI, SIKOREL, SilverCap, SIMDAD, SiMic, SIMID, SineFormer, SIOV, ThermoFuse, WindCap are **trademarks registered or pending** in Europe and in other countries. Further information will be found on the Internet at [www.epcos.com/trademarks](http://www.epcos.com/trademarks).